

GASMAX DSM Gas Monitor

Two-Channel Ambient Gas Monitor with Strobe and Horn for Non-Hazardous Areas

- * Supports 2 local or remote sensors located up to 50' (Remote Kit)
- * Built-in AC power supply with 6-foot cord for easy installation
- * Supports any combination of toxic, PID, combustible or IR sensors
- * Operating temp range -40°C to +70°C (subject to sensor limits)
- * Surge protection on sensor inputs and analog / Modbus outputs
- * 102 x 64 Pixel Display and Alarm LEDs per sensor channel
- * Three Push-Button User Interface per sensor channel
- * Red, Amber, Blue or Tri-Color highly visible top-mounted Strobe
- * Dual tone Buzzer mounted on bottom of enclosure
- * Individual 4-20mA and FAULT outputs per sensor channel
- * Two user-programmable alarm levels per sensor channel
- * Individual RS-485 MODBUS serial output per sensor channel
- * Manufactured in USA



The GDS Corp **GASMAX DSM** dual-channel gas monitor supports two local or remote sensors for hazardous toxic or combustible gases or a wide range of dangerous volatile organic compounds (VOCs). Sensors can be mounted locally or up to 50' away using the Remote Sensor Kit.

The **GASMAX DSM** consists of two independent sensors and associated sensor electronics assemblies that can be configured for any GDS Corp sensor type. Each sensor assembly has independent fault, analog

4-20mA and digital RS-485 serial outputs and two user-programmable alarm setpoints with front-panel LED alarm indicators.

The **GASMAX DSM** includes a standard top-mounted red, amber, blue or tri-color strobe and bottom-mounted dual-tone buzzer.

When configured for Remote Sensors, the **GASMAX DSM** ships with four remote sensor assemblies and cable and requires an external source of +24VDC.

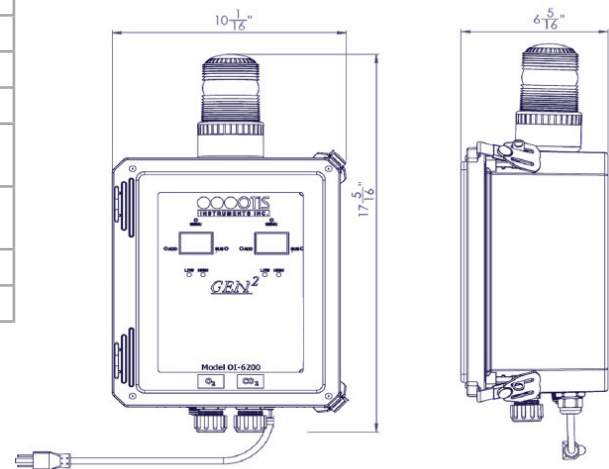
Please contact your local GDS Corp representative for more information on the GDS Corp **GASMAX DSM** quad-channel gas monitor.



1245 Butler Road
League City, Texas 77573
409-927-2980 • 409-927-4180 (fax)
www.gdscorp.com • info@gdscorp.com

GASMAX DSM SPECIFICATIONS	
Power Input	AC Power Input 100-240VAC for local sensors External +24VDC power at 2A maximum for remote sensors
Protection	Power Electromagnetic Interference Filter (RFI) 4-20mA Input Surge Suppression RS-485 and RS-232 Output Surge Suppression
Sensor Input	Any combination of two electrochemical sensors, PID sensors, infrared sensors or catalytic bead sensors in non-hazardous areas. Sensors can be installed locally or remotely
Display	102x64 resolution graphical LCD screens (one per sensor) Transflective (sunlight readable) with LED backlight
User Interface	Three manual push buttons (Menu, Add, Sub) (one set per sensor)
Alarm Settings	Two user-programmable LED alarm setpoints per channel
Standard Output	Analog industry-standard 4-20mA output (one per sensor) Fault output (one per sensor)
Relay Out	None
Digital Out	Two RS-485 serial outputs (one per sensor)
Visual Alarm	Red, Amber, Blue or Tri-Color Strobe Light
Audible Alarm	Miniature dual-tone buzzer
Optional Radio	None
Temp	-40C to +70C operating range (subject to sensor limitations)
Housing	NEMA Class I, 4, 4X and 6 Fiberglass Enclosure with Clear Lid - IP66, UL508 and UL 746C (f1) Rated
Dimensions	17 5/16" T x 10 1/16" W x 6 5/16" Deep 11 lbs
Certifications	For use in non-hazardous areas only
Hardware Warranty	One-year limited warranty

GASMAX DSM Order Guide	
GM/DSM-SEN1-SEN2-OPT1-OPT2-OPT3 [X]	
SEN1	Select sensor type from list below
SEN2	Select sensor type from list below
OPT1	1 = Red Strobe 2 = Amber Strobe 3 = Blue Strobe 4 = Tri-Color (Steady Green, Flashing Red, Amber)
OPT2	1 = Audio Alarm 102 dB, Dual Tone
OPT3	0 = No remote sensors 1 = Include Remote Sensor Kit that supports up to 4 remote sensors. Requires external +24VDC supply when selected.
[X]	[TAG] = Stainless steel tag



EC SENSORS		EC SENSORS		PID SENSORS	
10	Oxygen (O2), 0-25%	28	Nitric Oxide (NO), 0-250 ppm	61A	PID Isobutylene (10.6eV) 0-10 ppm
11	Carbon Monoxide (CO), 0-1000 ppm	25	Nitrogen Dioxide, (NO2), 0-20 ppm	61B	PID Isobutylene (10.6eV) 0-20 ppm
12	Chlorine (CL2), 0-20 ppm*	35	Formaldehyde (CH2O), 0-10 ppm	61C	PID Isobutylene (10.6eV) 0-50 ppm
13	Chlorine Dioxide (CLO2), 0-5.0 ppm	36	Phosphine (PH3), 0-5.0 ppm	62A	PID Isobutylene (10.6eV) 0-1000 ppm
14	Hydrogen (H2), 0-4% by volume	40	Hydrogen Sulfide (H2S), 0-2000 ppm	62B	PID Isobutylene (10.6eV) 0-2000 ppm
15	Hydrogen Sulfide (H2S), 0-100 ppm	41	Ammonia (NH3), 0-300 ppm*	63A	PID Isobutylene (10.0eV) 0-100 ppm
16	Hydrogen Cyanide (HCN), 0-50 ppm	42	Ammonia (NH3), 0-1000 ppm*	64A	PID Isobutylene (11.7eV) 0-100 ppm
17	Hydrogen Chloride (HCL), 0-30 ppm*				
18	Hydrogen Fluoride (HF), 0-10 ppm*				
19	Sulfur Dioxide (SO2), 0-20 ppm	INFRARED SENSORS		CATALYTIC BEAD SENSORS	
20	Ammonia (NH3), 0-100 ppm*	50	Methane (CH4), 0-100% LEL (IR)		Not supported
21	Ozone (O3), 0-5 ppm*	51	Methane (CH4), 0-100% by volume (IR)		
22	Ethylene Oxide (ETO), 0-10 ppm	53	Carbon Dioxide (CO2), 0-4% by volume (IR)		



1245 Butler Road
League City, Texas 77573
409-927-2980 • 409-927-4180 (fax)
www.gdscorp.com • info@gdscorp.com